

## Avide LED Ceiling Lamp Recessed Panel Square ALU 9W CW 6400K

**Product code:** ACRPCW-S-9W-ALU  
**Brand link:** [avidelighting.com/qr/ACRPCW-S-9W-ALU](http://avidelighting.com/qr/ACRPCW-S-9W-ALU)  
**ID:** AB-190518  
**Company name:** Bramcke Hungary Kft.  
**Company address:** Kishatár utca 17., 4031 Debrecen



**Date of issue:** 2024-10-03

**Page:** 1/3

### SPECIFICATIONS

**EAN code:** 5999097916682  
**Warranty:** 3year(s)  
**Material:** Aluminium  
**Working temperature:** -20 - +40°C  
**Packaging:** 1/b 50/c 1350/p  
**Certifications:** CE

### TECHNICAL DETAILS

**Wattage:** 9W  
**Voltage:** 220-240V  
**Beam angle:** 120°  
**Dimmability:** No  
**Lumen output:** 640lm  
**Color temperature:** 6 400K  
**Lifetime:** 25 000h  
**Energy class:**  
**Type of LED:** SMD  
**IP standard:** IP20

### BOX PICTURE



**Avide LED Ceiling Lamp Recessed Panel Square ALU 9W CW 6400K**

**Product code:** ACRPCW-S-9W-ALU  
**Brand link:** [avidelighting.com/qr/ACRPCW-S-9W-ALU](https://avidelighting.com/qr/ACRPCW-S-9W-ALU)  
**ID:** AB-190518  
**Company name:** Bramcke Hungary Kft.  
**Company address:** Kishatár utca 17., 4031 Debrecen



Date of issue: 2024-10-03

Page: 2/3

**PRODUCT SIZE**

Width: 141mm  
 Height: 141mm  
 Cut out size: 125mm

**CARDBOARD BOX**

EAN: 5999097916682  
 Packaging: 1/b 50/c 1350/p  
 Dimensions: 153mm x 32mm x 208mm  
 Net weight: 116g  
 Gross weight: 140g

**CARTON**

EAN: 5999097916699  
 Packaging: 1/b 50/c 1350/p  
 Dimensions: 645mm x 220mm x 370mm  
 Net weight: 5.8kg  
 Gross weight: 7kg

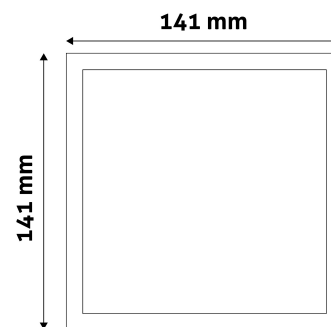
**PALLET EXAMPLE**

Height:  
 Width: 120cm (std Euro pallet)  
 Mepth: 80cm (std Euro pallet)  
 Cartons per pallet: 27carton/pallet  
 Cartons per row:  
 Net weight: 156.6kg  
 Gross weight: 189kg

**PRODUCT PICTURE**



**PRODUCT OUTLINE**



Avide LED Ceiling Lamp Recessed Panel Square ALU 9W CW 6400K

**Product code:** ACRPCW-S-9W-ALU  
**Brand link:** [avidelighting.com/qr/ACRPCW-S-9W-ALU](https://avidelighting.com/qr/ACRPCW-S-9W-ALU)  
**ID:** AB-190518  
**Company name:** Bramcke Hungary Kft.  
**Company address:** Kishatár utca 17., 4031 Debrecen

QR code:



**Date of issue:** 2024-10-03

**Page:** 3/3

PRODUCT DESCRIPTION