

## Avide LED Ceiling Lamp Recessed Panel Square ALU 15W CW 6400K

<b>Product code:</b>	ACRPCW-S-15W-ALU
<b>Brand link:</b>	<a href="http://avidelighting.com/qr/ACRPCW-S-15W-ALU">avidelighting.com/qr/ACRPCW-S-15W-ALU</a>
<b>ID:</b>	AB-190518
<b>Company name:</b>	Bramcke Hungary Kft.
<b>Company address:</b>	Kishatár utca 17., 4031 Debrecen

QR code:



Date of issue: 2024-10-03

Page: 1/3

### SPECIFICATIONS

EAN code:	5999097916804
Warranty:	3year(s)
Material:	Aluminium
Working temperature:	-20 - +40°C
Packaging:	1/b 20/c 640/p
Certifications:	CE

### TECHNICAL DETAILS

Wattage:	15W
Voltage:	220-240V
Beam angle:	120°
Dimmability:	No
Lumen output:	1 140lm
Color temperature:	6 400K
Lifetime:	25 000h
Energy class:	
Type of LED:	SMD
IP standard:	IP20

### BOX PICTURE



## Avide LED Ceiling Lamp Recessed Panel Square ALU 15W CW 6400K

**Product code:** ACRPCW-S-15W-ALU  
**Brand link:** [avidelighting.com/qr/ACRPCW-S-15W-ALU](https://avidelighting.com/qr/ACRPCW-S-15W-ALU)  
**ID:** AB-190518  
**Company name:** Bramcke Hungary Kft.  
**Company address:** Kishatár utca 17., 4031 Debrecen

QR code:



Date of issue: 2024-10-03

Page: 2/3

### PRODUCT SIZE

Width: 187mm  
Height: 187mm  
Cut out size: 168mm

### CARDBOARD BOX

EAN: 5999097916804  
Packaging: 1/b 20/c 640/p  
Dimensions: 225mm x 225mm x 30mm  
Net weight: 130g  
Gross weight: 187g

### CARTON

EAN: 5999097916811  
Packaging: 1/b 20/c 640/p  
Dimensions: 335mm x 245mm x 470mm  
Net weight: 2.6kg  
Gross weight: 3.74kg

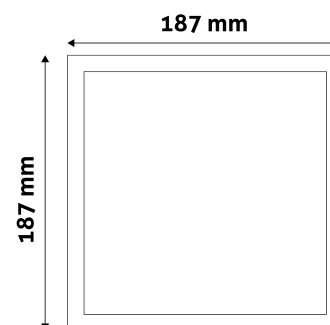
### PALLET EXAMPLE

Height:  
Width: 120cm (std Euro pallet)  
Mepth: 80cm (std Euro pallet)  
Cartons per pallet: 32carton/pallet  
Cartons per row:  
Net weight: 83.2kg  
Gross weight: 119.68kg

### PRODUCT PICTURE



### PRODUCT OUTLINE



Avide LED Ceiling Lamp Recessed Panel Square ALU 15W CW 6400K

**Product code:** ACRPCW-S-15W-ALU  
**Brand link:** [avidelighting.com/qr/ACRPCW-S-15W-ALU](https://avidelighting.com/qr/ACRPCW-S-15W-ALU)  
**ID:** AB-190518  
**Company name:** Bramcke Hungary Kft.  
**Company address:** Kishatár utca 17., 4031 Debrecen

QR code:



**Date of issue:** 2024-10-03

**Page:** 3/3

PRODUCT DESCRIPTION